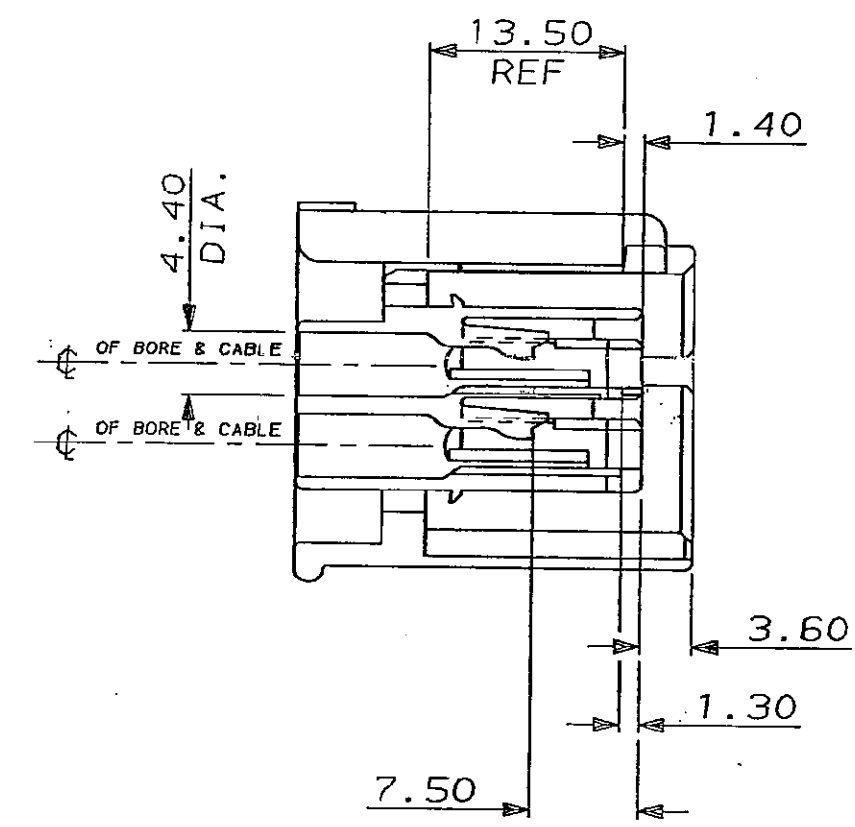
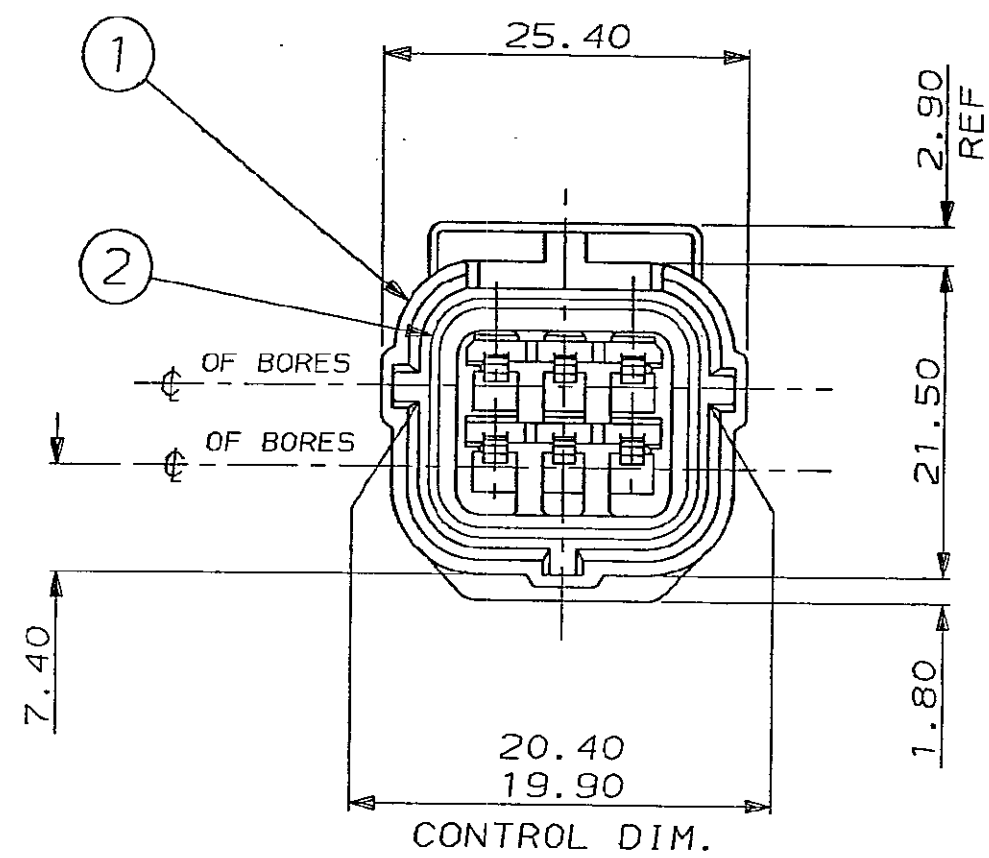
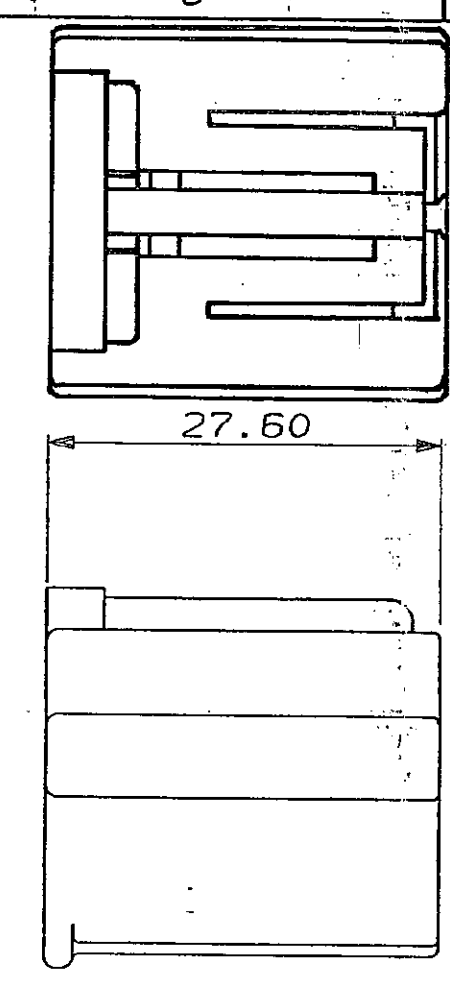
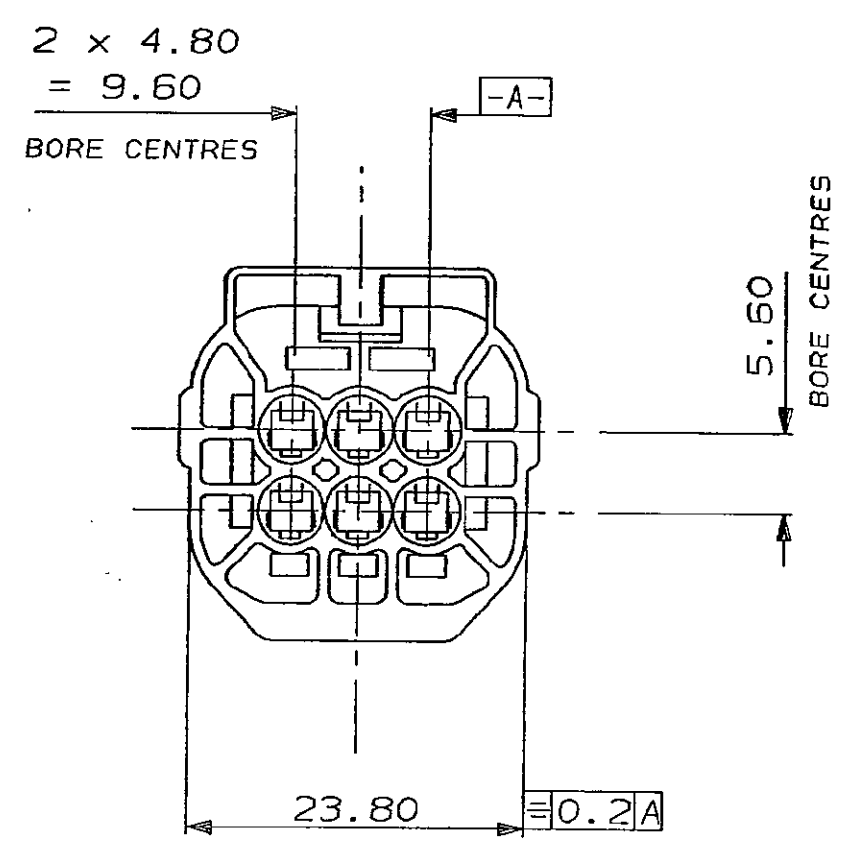


C.A.D. FILE CODE
S. C344267

DO NOT SCALE DIMENSIONS IN MM.



SCRAP VIEW (SEAL NOT SHOWN)

| ITEM No. | MATERIAL | PT. NO. OR COLOUR | DESCRIPTION | QTY. PER ASSY. | ASSEMBLY PART No. |
|----------|-----------------|-------------------|-----------------|----------------|-------------------|
| 2 | NITRILE RUBBER | GREY | PERIPHERAL SEAL | 1 | 1-344267-4 |
| 1 | NYLON 66 | 344266-4 | 6 WAY REC. HSG. | 1 | WHITE |
| 2 | NITRILE RUBBER | GREY | PERIPHERAL SEAL | 1 | 1-344267-3 |
| 1 | NYLON 66 | 344266-3 | 6 WAY REC. HSG. | 1 | BLUE |
| 2 | NITRILE RUBBER | GREY | PERIPHERAL SEAL | 1 | 1-344267-2 |
| 1 | NYLON 66 | 344266-2 | 6 WAY REC. HSG. | 1 | RED |
| 2 | NITRILE RUBBER | GREY | PERIPHERAL SEAL | 1 | 1-344267-1 |
| 1 | NYLON 66 | 344266-1 | 6 WAY REC. HSG. | 1 | BLACK |
| 2 | SILICONE RUBBER | ORANGE | PERIPHERAL SEAL | 1 | 344267-4 |
| 1 | NYLON 66 | 344266-4 | 6 WAY REC. HSG. | 1 | WHITE |
| 2 | SILICONE RUBBER | ORANGE | PERIPHERAL SEAL | 1 | 344267-3 |
| 1 | NYLON 66 | 344266-3 | 6 WAY REC. HSG. | 1 | BLUE |
| 2 | SILICONE RUBBER | ORANGE | PERIPHERAL SEAL | 1 | 344267-2 |
| 1 | NYLON 66 | 344266-2 | 6 WAY REC. HSG. | 1 | RED |
| 2 | SILICONE RUBBER | ORANGE | PERIPHERAL SEAL | 1 | 344267-1 |
| 1 | NYLON 66 | 344266-1 | 6 WAY REC. HSG. | 1 | BLACK |

| CUSTOMER DWG FOR REFERENCE ONLY | | | | TOLERANCES UNLESS OTHERWISE STATED | | DR. R. J. S. | |
|---------------------------------|---|--------------|---------|------------------------------------|------|--|------------|
| F | VIEW ADDED | EB00-0230-93 | 15-6-93 | ±0.1 | ±0.2 | CH. R. R. | APP. B. J. |
| E | ADDED 1-344267-1, 2, 3 & 4 | EB00-0002-95 | 4.1.95 | ±0.1 | ±0.2 | 5.11.87 | |
| D | PER. SEAL MOD. | EB00-0240-94 | 9.5.94 | DEC ± 0.5 | ±0.1 | TERMINAL HOUSE STANMORE MIDDX. | |
| C | CON. DIM. WAS 20.15/19.95 ADDED -2 TO -4. | C5359 | 2.10.89 | ANGLES ± 1° | | AMP of Great Britain Ltd. | |
| B | UPDATED | C5241 | 11.5.89 | | | NAME 6 WAY REC. HSG. ASSY. ECONOSEAL 3 LOW CURRENT | |
| A | UPDATED | C5014 | 29.7.88 | | | SCALE | LOC |
| O | REL. FOR PROD. | C4896 | 15.5.88 | | | SIZE | DWG. No. |
| REV | MODIFICATION | ECN | DATE | 2/1 | E | A2 | C344267 |
| | | | | | | | REV SHEET |
| | | | | | | | F 1/1 |